

PLEASE CHECK WWW.MOLEX.COM FOR LATEST PART INFORMATION

Part Number: [0449142201](#)
Status: **Active**
Overview: [microfit_30](#)
Description: 3.00mm (.118") Pitch Micro-Fit 3.0 CPI™ Header, Compliant Pin Interface, Dual Row, Vertical, 22 Circuits, Tin (Sn) Plating, Glow Wire Compatible

Documents:

[3D Model](#) [Product Specification PS-43045 \(PDF\)](#)
[Drawing \(PDF\)](#) [RoHS Certificate of Compliance \(PDF\)](#)

Agency Certification

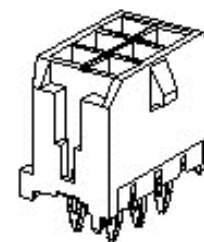
CSA LR19980
TUV R72081037
UL E29179

General

Product Family PCB Headers
Series [44914](#)
Application Wire-to-Board
Application Tooling Part Link 622008400
Comments Glow Wire Equivalent Part Number [449142201](#). High Temperature, Square Pin
Overview [microfit_30](#)
Product Literature Order No USA-106
Product Name Micro-Fit 3.0 CPI™

Physical

Breakaway No
Circuits (Loaded) 22
Circuits (maximum) 22
Color - Resin Black
Durability (mating cycles max) 30
Flammability 94V-0
Glow-Wire Compliant Yes
Material - Metal High Performance Alloy (HPA)
Material - Plating Mating Tin
Material - Plating Termination Tin
Material - Resin High Temperature Thermoplastic
Number of Rows 2
Orientation Vertical
PCB Locator Yes
PCB Retention Yes
Packaging Type Tray
Pitch - Mating Interface (in) 0.118 In
Pitch - Mating Interface (mm) 3.00 mm
Plating min: Mating (µin) 200
Plating min: Mating (µm) 5
Plating min: Termination (µin) 200
Plating min: Termination (µm) 5
Polarized to PCB Yes
Shrouded Fully
Stackable No
Surface Mount Compatible (SMC) No
Temperature Range - Operating -40°C to +105°C
Termination Interface: Style Through Hole - Compliant Pin



Series

image - Reference only

EU RoHS

ELV and RoHS Compliant
REACH SVHC
Contains SVHC: No
Halogen-Free Status

China RoHS



Halogen-Free

Need more information on product environmental compliance?

Email productcompliance@molex.com
For a multiple part number RoHS Certificate of Compliance, [click here](#)

Please visit the [Contact Us](#) section for any non-product compliance questions.

Search Parts in this Series

[44914Series](#)

Mates With

[43025-2200](#)

Application Tooling | FAQ

Tooling specifications and manuals are found by selecting the products below. Crimp Height Specifications are then contained in the Application Tooling Specification document.

Global

Description	Product #
Micro-Fit™	0622008400
Compliant Pin	
Insertion Flat Rock	
Tool	

Electrical

Current - Maximum per Contact

5A

Voltage - Maximum

250V

Material Info**Reference - Drawing Numbers**

Packaging Specification

PK-70873-0314

Product Specification

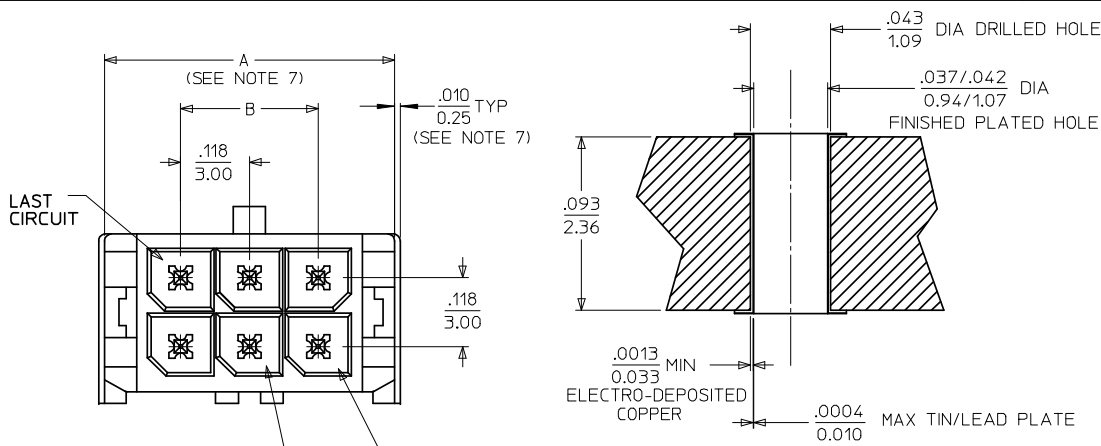
PS-43045, RPS-43045-003, RPS-43045-004

Sales Drawing

SD-44914-001

This document was generated on 05/24/2010

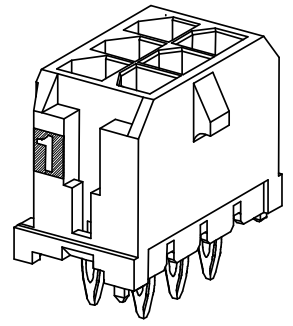
PLEASE CHECK WWW.MOLEX.COM FOR LATEST PART INFORMATION



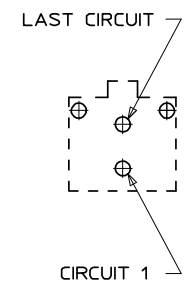
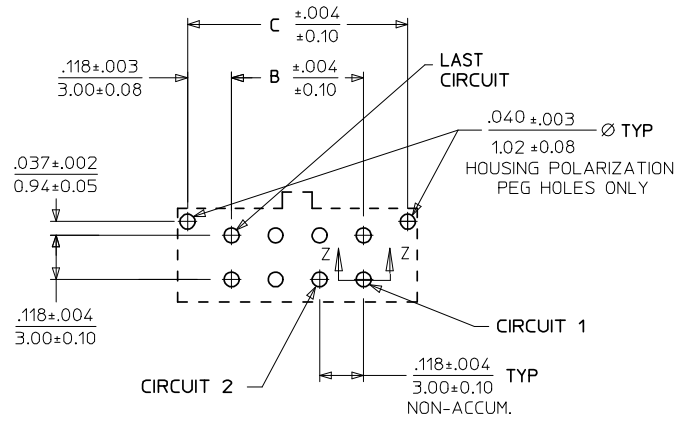
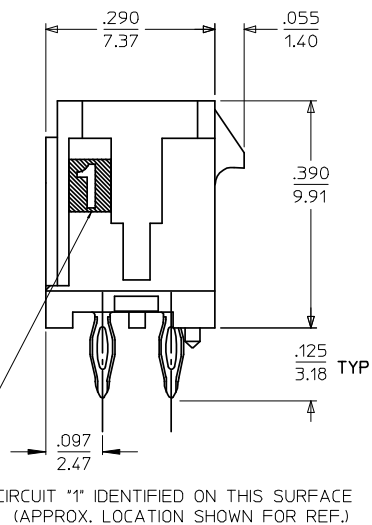
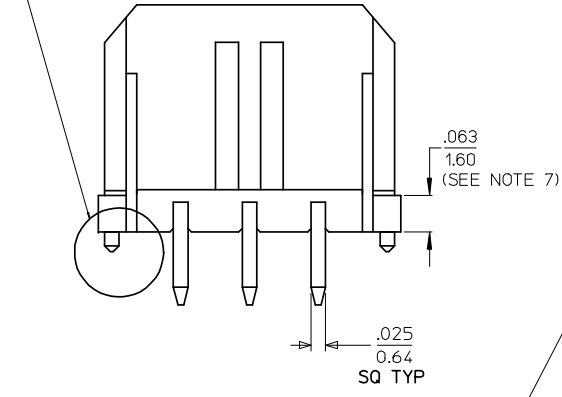
	FINISH: A	FINISH: B	FINISH: C
CKTS	MATERIAL NO:	MATERIAL NO:	MATERIAL NO:
02	44914-0201	44914-0202	44914-0203
04	44914-0401	44914-0402	44914-0403
06	44914-0601	44914-0602	44914-0603
08	44914-0801	44914-0802	44914-0803
10	44914-1001	44914-1002	44914-1003
12	44914-1201	44914-1202	44914-1203
14	44914-1401	44914-1402	44914-1403
16	44914-1601	44914-1602	44914-1603
18	44914-1801	44914-1802	44914-1803
20	44914-2001	44914-2002	44914-2003
22	44914-2201	44914-2202	44914-2203
24	44914-2401	44914-2402	44914-2403

CKTS	A (SEE NOTE 7)	B	C
02	.262 6.65	NA	.236 6.00
04	.380 9.65	.118 3.00	.354 9.00
06	.498 12.65	.236 6.00	.472 12.00
08	.616 15.65	.354 9.00	.591 15.00
10	.734 18.65	.472 12.00	.709 18.00
12	.852 21.65	.591 15.00	.827 21.00
14	.970 24.65	.709 18.00	.945 24.00
16	1.088 27.65	.827 21.00	1.063 27.00
18	1.206 30.65	.945 24.00	1.181 30.00
20	1.325 33.65	1.063 27.00	1.299 33.00
22	1.443 36.65	1.181 30.00	1.417 36.00
24	1.561 39.65	1.299 33.00	1.535 39.00

SECTION Z-Z
SCALE : 20/1



NOTE : (2) POLARIZATION PEGS ARE SHOWN. HOWEVER, ASSEMBLIES MAY BE MANUFACTURED WITH (1) PEG ONLY.



NOTES:

- HOUSING MATERIAL: GLASS FILLED LIQUID CRYSTAL POLYMER, UL94V-0, COLOR: BLACK
TERMINAL MATERIAL: MODIFIED TIN/BRASS ALLOY
- FINISH: A = .000200/(0.0051) MIN. TIN OVER .000050/(0.0013) MIN. NICKEL PLATE.
B = .000015/(0.00038) MINIMUM GOLD IN SELECTIVE AREA,
.000060/(0.00152) MINIMUM TIN/LEAD (90/10) ON PCB TAILS,
BOTH OVER .000050/(0.00127) MINIMUM NICKEL PLATE.
C = .000030/(0.00076) MINIMUM GOLD IN SELECTIVE AREA,
.000060/(0.00152) MINIMUM TIN/LEAD (90/10) ON PCB TAILS,
BOTH OVER .000050/(0.00127) MINIMUM NICKEL PLATE.
- PRODUCT SPECIFICATION: PS-43045
- TRAY PACKAGED: SEE MOLEX DRAWING PK-70873-0314
- MATES WITH MICRO FIT (3.0) RECEPTACLE SERIES 43025
- HEADER INSTALLATION REQUIRES A MINIMUM FORCE OF 24LBS/(107 N) PER CIRCUIT DISTRIBUTED EQUALLY ACROSS THE ENTIRE HOUSING SURFACE.
- .010/0.25 OFFSETS ARE PRESENT ON ALL PARTS MANUFACTURED AFTER 11/1/2007, AND ON PARTS PRIOR TO 11/1/2007 THAT CONTAIN A GREEN DOT ON THE PRIMARY SHIPPING CARTON LABEL.
- THIS PART CONFORMS TO CLASS B REQUIREMENTS OF COSMETIC SPECIFICATION PS-45499-002.

PCB LAYOUT: COMPONENT SIDE
RECOMMEND PCB THICKNESS: .093/2.36

PCB LAYOUT: 2 CKT HEADER

ADD .097 DIM. NOTE 8 EC NO: UCP2008-0324 DRWN:MKI/PPER 2007/12/19 CHKD:SSOUSEK 2007/12/20 APPR:FSMLTH 2007/12/21	QUALITY SYMBOLS ▽=0 ▽=0	GENERAL TOLERANCES (UNLESS SPECIFIED) mm INCH 4 PLACES ±--- ±--- 3 PLACES ±--- ±.010 2 PLACES ±.025 ±.014 1 PLACE ±0.36 ±--- ANGULAR ±1/2°	DIMENSION STYLE IN/MM DRAWN BY BURLERSON DATE 2001/08/30 CHECKED BY DATE APPROVED BY MUELLER DATE 2001/08/30 MARGULIS DATE 2001/08/30	SCALE --- DESIGN UNITS METRIC THIRD ANGLE PROJECTION	TITLE MICRO FIT HEADER VERTICAL COMPLIANT PIN TRAY PACKED MOLEX MOLEX INCORPORATED DOCUMENT NO. SD-44914-001 SHEET NO. 1 OF 1
	DRAFT WHERE APPLICABLE MUST REMAIN WITHIN DIMENSIONS		SEE CHART		
	THIS DRAWING CONTAINS INFORMATION THAT IS PROPRIETARY TO MOLEX INCORPORATED AND SHOULD NOT BE USED WITHOUT WRITTEN PERMISSION				
	H2 REV		C SIZE		